


INSTRUCTION MANUAL

RPB® C40™ Climate Control Device

CE 2797

EN14594:2005 3B
RESPIRATORY PROTECTION
Only in conjunction with approved respirator.

 **ENGLISH** 2

 **NEDERLANDS** 21



Employers: read this manual and the head-top instruction manual and carry out the employer responsibilities (page 7).

Product users: read this manual and the head-top instruction manual and follow the product user safety instructions (page 9).

Manuals are regularly updated. Make sure this manual is available to all users for reference.

Current version of manual and other languages:

rpb-safety.com/air-monitoring-filtration-supply/c40-climate-control-device

The Respiratory Protection **Brand**®


The logo for RPB (Respiratory Protection Brand), featuring the letters 'rpb' in a bold, lowercase, sans-serif font. The 'r' and 'p' are black, and the 'b' is green. A registered trademark symbol (®) is located to the upper right of the 'b'.


CONTENTS

| | |
|--|----|
| ■ EXPLANATION OF SIGNAL WORDS AND SYMBOLS | 2 |
| ■ INTRODUCTION | 3 |
| ■ IMPORTANT SAFETY INFORMATION | |
| □ PROTECTION PROVIDED AND LIMITATIONS | 4 |
| □ RESPIRATORY COMPONENT DIAGRAM - CAUTIONS & LIMITATIONS | 5 |
| □ AIR SOURCE, FITTINGS, AND PRESSURE | 6 |
| □ EMPLOYER RESPONSIBILITIES | 7 |
| □ PRODUCT USER SAFETY INSTRUCTIONS | 9 |
| ■ SETUP AND CARE | 11 |
| ■ FLOW AND TEMPERATURE CHART | 16 |
| ■ PARTS AND ACCESSORIES | 18 |
| ■ WARRANTY AND LIABILITY STATEMENT | 20 |
| ■ NEDERLANDS | 21 |

EXPLANATION OF SIGNAL WORDS AND SYMBOLS

The following signal word and safety symbols are used in this manual and product labeling:

 **WARNING** **WARNING** indicates a hazardous situation that, if not avoided, could result in death or serious injury.

 **DANGER** **DANGER** Indicates a hazardous situation that, if not avoided, will result in death or serious injury.



Read the Instruction Manual.

Additional copies of RPB® manuals can be found at rpsafety.com.

CERTIFIED BY:

BSI Group The Netherlands B.V., Say Building, John M. Keynesplein 9, 1066 EP, Amsterdam, NL

RPB® Safety LLC is an ISO9001 certified company.

INTRODUCTION

The RPB® C40™ Climate Control Device is designed for use in many different industries such as blasting, painting, grinding and other such areas where you would like to adjust the air temperature in the respirator hood.

This product must be inspected and maintained in accordance with this instruction manual at all times.

See PROTECTION PROVIDED AND LIMITATIONS (page 4) for details.

RPB® SAFETY - GLOBAL HEADQUARTERS

2807 Samoset Rd, Royal Oak, MI 48073, USA.

T: 1-866-494-4599 F: 1-866-494-4509 E: sales.us@rpbsafety.com **rpbsafety.com**

RPB® SAFETY - APAC

1 Ivan Jamieson Place, Christchurch Airport, Christchurch 8053 New Zealand.

T: +64-3-357-1761 F: +64-3-357-1763 E: sales.nz@rpbsafety.com **rpbsafety.com**

RPB® SAFETY - EMEA

T: +44-800-689-5031 E: sales@rpbsafety.co.uk **rpbsafety.com**

Copyright ©2019 RPB Safety, LLC. All rights reserved. All materials contained on this website are protected by United States copyright law and may not be reproduced, distributed, transmitted, displayed, published or broadcast without the prior written permission of RPB Safety, LLC. You may not alter or remove any trademark, copyright or other notice from copies of the content.

All trademarks, service marks, and logos used in this publication, both registered and unregistered, are the trademarks, service marks, or logos of their respective owners. The green and gray color combination is a registered trademark of RPB Safety, LLC. All rights in the RPB Intellectual Property contained in this publication, including copyright, trademarks, service marks, trade secret, and patent rights are reserved. RPB Intellectual Property means any patent, patented articles, patent applications, designs, industrial designs, copyrights, software, source code, database rights, moral rights, inventions, techniques, technical data, trade secrets, know-how, brands, trademarks, trade names, slogans, logos, and any other common law and proprietary rights, whether registered or unregistered anywhere in the world, that are owned by, developed in whole or in part by, or licensed by RPB Safety, LLC.

For technical assistance contact our Customer Service Department at 1-866-494-4599 or email: customerservice@rpbsafety.com

Form #: 7.20.560

Rev: 2

IMPORTANT SAFETY INFORMATION

⚠ WARNING Improper selection, use, or maintenance of this product can result in injury; life threatening delayed lung, skin or eye disease; or death.

This product is intended for occupational use in accordance with applicable standards or regulations for your location, industry, and activity (see Employer Responsibilities, page 7). Familiarity with standards and regulations related to the use of this protective equipment is recommended, even if they do not directly apply to you. If self-employed or if used in a non-occupational setting, refer to Employer Responsibilities and Product User Safety Instructions. Go to rpbsafety.com/important-safety-information/ for helpful links to CE standards and other content.

Employers: Read this manual and the head-top Instruction Manual and carry out the Employer Responsibilities (page 7).

Product users: Read this manual and the head-top Instruction Manual and follow the Product User Safety Instructions (page 9).

Check website for updates. Product manuals are regularly updated.

Visit rpbsafety.com/resources/ for the most recent version of this manual before using the product.

PROTECTION PROVIDED AND LIMITATIONS

RESPIRATION

The RPB[®] C40™ is part of a respirator as a flow control device in the categories as follows:

Supplied Air

The RPB[®] C40™ Climate Control Device, when properly fitted and used with all required components, including the head top, breathing tube assembly, and breathing air line is part of a respirator assembly. As such, it significantly reduces, but does not completely eliminate, the breathing of contaminants by the respirator wearer. Use with an airline filter, such as the O4-900 RPB[®] RADEX[®] Airline Filter. Specific protection depends on the setup of the airline filter (see the Instruction Manual for RPB[®] RADEX[®] or for which ever airline filter is used).

HAZARD LIMITATIONS

The RPB[®] C40™ Climate Control Device is **NOT FOR USE** if:

- In atmospheres immediately dangerous to life or health (IDLH).
- Wearer cannot escape without the aid of the respirator.
- Atmosphere contains less than 21% ±1% oxygen.
- For protection against hazardous gases (e.g., carbon monoxide).
- Contaminants are in excess of regulations or recommendations.
- Contaminants or contaminant concentrations are unknown.
- Work area is poorly ventilated.
- The temperature is outside the range of -10°C to +60°C (14°F to 140°F).

PPE REGULATION

- The C40™ conforms to the PPE Regulation (EU) 2016/425.
- The Declaration of Conformity can be found at rbsafety.com/resources/
- See the "Inspection, Cleaning and Storage" section for information on packaging and protection required for transportation.

RESPIRATOR COMPONENT DIAGRAM

An RPB® Respirator consists of 3 main components:

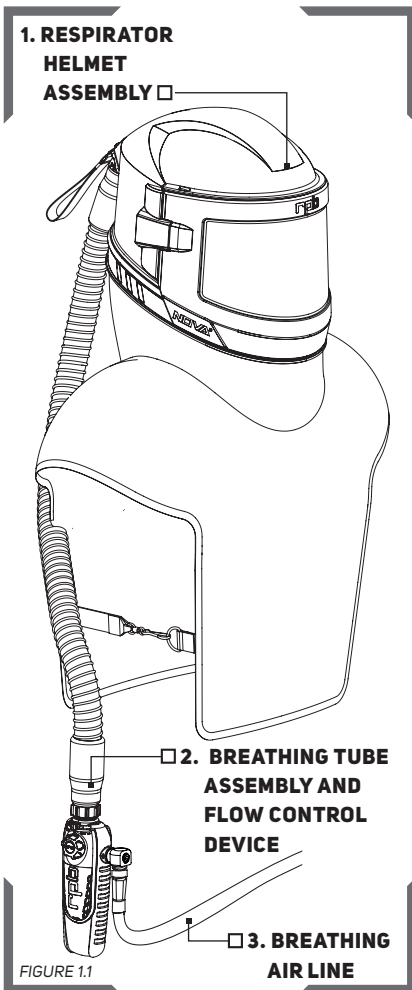


FIGURE 1.1

CAUTIONS AND LIMITATIONS

- A. Not for use in atmospheres containing less than 21% ±1% oxygen.
- B. Not for use in atmospheres immediately dangerous to life or health.
- C. Do not exceed maximum use concentrations established by regulatory standards.
- D. Air-line respirators can be used only when the respirators are supplied with respirable air meeting the requirements of EN 12021 and AS/NZS 1715 or higher quality.
- E. Use only the pressure ranges and hose lengths specified in the user's instructions.
- J. Failure to properly use and maintain this product could result in injury or death.
- M. All approved respirators shall be selected, fitted, used and maintained in accordance with applicable regulations.
- N. Never substitute, modify, add or omit parts. Use only exact replacement parts in the configuration as specified by the manufacturer.
- O. Refer to user's instructions, and/or maintenance manuals for information on use and maintenance of these respirators.
- S. Special or Critical User Instructions and/or specific limitations apply. Refer to "Breathing Air Pressure Table" in the Head-Top instruction manual before donning as instructed on page 12.

AIR SOURCE, FITTINGS, AND PRESSURE


AIR SOURCE

Supplied Air

Locate the air source in a clean air environment, always use a filter on the inlet of your air source. Make sure the air source is somewhere that vehicles, forklifts, and other machinery are not running near the air inlet, as this will cause carbon monoxide to be drawn into your air supply. Always use suitable after coolers/dryers with filters and carbon monoxide alarms to ensure clean breathable air is supplied at all times. A Radex® Airline Filter (04-900) and a GX4® Gas Monitor (08-400) are recommended. The air should be regularly sampled to ensure that it meets EN 12021 and AS/NZS 1715 requirements.

AIR QUALITY

This respirator must be supplied with clean breathable air at all times. Breathable air must at least meet the requirements for EN 12021 and AS/NZS 1715. The RPB® C40™ does not purify air or filter contaminants. A carbon monoxide monitor must be used at all times.

 **DANGER** Do not connect the respirator's air supply hose to nitrogen, toxic gases, inert gases or other unbreathable air sources. Check the air source before using the respirator. This apparatus is not designed for use with mobile air supply systems i.e. cylinders. Connecting the supply hose to a non-breathable air source will result in serious injury or death.

BREATHING AIR SUPPLY HOSES AND FITTINGS

RPB® air supply hoses and fittings must be used between the point of attachment and the respirator breathing air connection at the wearer's belt. The hose sections must be within the correct length and the amount of sections must be within the number specified in the breathing air pressure table in the head-top instruction manual.

BREATHING AIR PRESSURE

The air pressure must be continually monitored at the point of attachment. Air pressure must be read from a reliable pressure gauge whilst the respirator has air flowing through it.

EMPLOYER RESPONSIBILITIES

Your specific responsibilities may vary by location and industry, but in general RPB® expects that employers will:

■ Follow all applicable standards and regulations for your location, industry, and activity.

Depending on your location and industry, a number of standards and regulations may apply to your selection and use of respirators and other personal protective equipment. These may include such things as regional/national CE standards and regulations, local, or military standards and regulations and consensus standards. There are also requirements specific to particular contaminants, e.g. silica (see rpbsafety.com for more information), asbestos, organic pathogens, etc. Know which requirements apply to your location and industry.

■ Have appropriate safety programs in place.

Have and follow:

- A workplace safety program.
- A written respiratory protection program in accordance with applicable standards and regulations.

■ In accordance with the above,

- **Perform a hazard analysis and select appropriate equipment for each activity.** A hazard analysis should be performed by a qualified person. Controls should be in place as appropriate and a qualified person should determine what kind of respiratory, face and eye, head, and hearing protection is appropriate for the intended activities and environments of use. (For example, select a respirator appropriate to the specific airborne hazards, with consideration of workplace and user factors, select welding face and eye protection appropriate to the type of work to be done, etc.)

As applicable, check your workplace safety program, respiratory protection program, and standards and regulations for your activity or industry for related protection requirements, and see this manual (Protection Provided and Limitations, page 4) and the headtop Instruction Manual for product specifications.

■ Be sure employees are medically qualified to use a respirator.

Have a qualified physician or other licensed health care professional (PLHCP) perform medical evaluations using a medical questionnaire or an initial medical examination.

■ Train employees in the C40™'s use, maintenance, and limitations.

Appoint a qualified individual who is knowledgeable about the RPB® C40™ and national or local standards to provide training:

Qualifications of the Respirator Trainer. Anyone providing respirator training shall:

- a) be knowledgeable in the application and use of the respirator(s);
- b) have practical knowledge in the selection and use of respirator(s) and work practices at the site;
- c) have an understanding of the site's respirator program; and
- d) be knowledgeable of applicable regulations.

Train each C40™ user in the product's use, application, inspection, maintenance, storage,

EMPLOYER RESPONSIBILITIES CONTINUED

fitting, and limitations in accordance with the content of this Instruction Manual and the approved head-top Instruction Manual and standard or regulatory requirements. Ensure that each intended user reads both of these manuals.

■ **Ensure that equipment is properly set up, used, and maintained.**

Make sure that equipment is properly set up, inspected, fitted, used, and maintained, including wearing the C40™ on the belt secure around the user's waist, the U-Tube is clean, and the silencers are in place.

■ **Measure and monitor airborne contaminants in the work area.**

Measure and monitor airborne contaminant levels in the work area in accordance with applicable requirements. Make sure work area is well ventilated.

■ **If you have any questions, contact RPB®.**

■ Call Customer Service Department at:

Tel: 1-866-494-4599

E-mail: customerservice@rpbsafety.com

Web: rpbsafety.com

PRODUCT USER SAFETY INSTRUCTIONS

BEFORE INITIAL USE - BE TRAINED AND MEDICALLY QUALIFIED

Do not use this device until you have read this manual and the head-top Instruction Manual (additional copies available at rpbafety.com) and been trained in the respirator's use, maintenance, and limitations by a qualified individual (appointed by your employer) who is knowledgeable about the RPB® C40™ Climate Control Device.

Do not wear this respirator until you have passed a medical evaluation using a medical questionnaire or an initial medical examination by a qualified physician or other licensed health care professional (PLHCP).

Allergens: No known common allergens are used in this product.

Some materials could cause an allergic reaction in susceptible individuals. If you have a known allergy or develop irritation, inform your employer. Irritation may occur from lack of cleaning. Following all cleaning and care instructions provided in the instruction manuals for this and any other RPB® products you are using.

MAKE SURE THE SYSTEM IS READY FOR USE

Make sure you have a complete system. The C40™ is only one component of a respirator system. Verify that you have all required components to serve as a complete respirator:

- Respirator Head-Top Assembly
- Breathing Tube Assembly
- C40™ Climate Control Device
- Breathing Air Line

See *Respirator Component Diagram* (page 5). Use only authentic RPB® brand parts and components that are part of the respirator assembly. Using incomplete or inappropriate equipment, including the use of counterfeit or non-RPB® parts, can result in inadequate protection. Do not modify or alter any part of this product. The C40™ Climate Control Device cannot be used with a Low Pressure Air Pump as they do not supply a sufficient amount of air flow.

Follow the Setup and Care instructions to inspect all components daily, including the internal components, for signs of damage or wear and tear that may reduce the level of protection originally provided. Remove any damaged component or product. Damaged components should be replaced with genuine RPB® brand replacement parts. Inspect the inside of the C40™ for respirable dust or other foreign objects. Keep the inside of the C40™ clean at all times.

Make sure that the C40™ is correctly assembled. Never use the device without all components in place. An incomplete or improperly installed C40™ system could provide inadequate respiratory protection. See *Setup and Care* (page 11).

BEFORE DONNING THE RESPIRATOR WITH THE C40™:

Verify airborne contaminants are within recommended limits for respirator use:

- Determine the type and level of contamination. Verify that airborne contaminant concentrations do not exceed those allowed by applicable regulations such as EN 12021 and AS/NZS 1715 and recommendations for supplied air respirators.

PRODUCT USER SAFETY INSTRUCTIONS CONTINUED

Make sure the area is ventilated and monitored:

- Make sure that the area is well ventilated and that regular air samples are taken to confirm the atmosphere stays within the levels recommended by applicable regulations and standards. For Supplied Air, it is recommended to use a GX4® Gas Monitor. Follow the GX4® Gas Monitor Instruction Manual.

If you have any questions, ask your employer.

DO NOT ENTER THE WORK AREA if any of the following conditions exist:

- Atmosphere is immediately dangerous to life or health.
- You cannot escape without the aid of the respirator.
- Atmosphere contains less than 21% ±1% oxygen.
- Contaminants are in excess of regulations or recommendations.
- Contaminants or contaminant concentrations are unknown.
- Work area is poorly ventilated.
- The temperature is outside the range of -10°C to +60°C (14°F to 140°F).

LEAVE THE WORK AREA IMMEDIATELY IF:

- Any product component becomes damaged.
- Vision is impaired.
- Airflow stops or slows down.
- Breathing becomes difficult
- You become dizzy, nauseous, too hot, too cold, or ill.
- Your eyes, nose, or skin become irritated.
- You taste, smell, or see contaminants inside the helmet.
- You have any other reason to suspect that the respirator is not providing adequate protection.

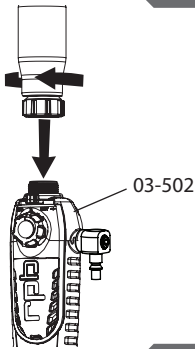
PRODUCT CARE

Never place the C40™ on hot surfaces. Do not apply paints, solvents, adhesives or self-adhesive labels except as instructed by RPB®. This product may be adversely affected by certain chemicals.

See the "Inspection, Cleaning and Storage" section (p. 13) for cleaning instructions.

SETUP AND CARE

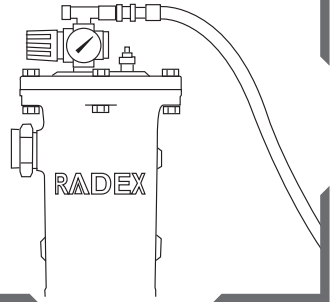
FIGURE 1.2



ATTACH THE BREATHING TUBE

Thread on the loose running nut of the Breathing Tube on to the C40™ Climate Control Device (03-502). Screw the running nut in a clockwise direction until tight.

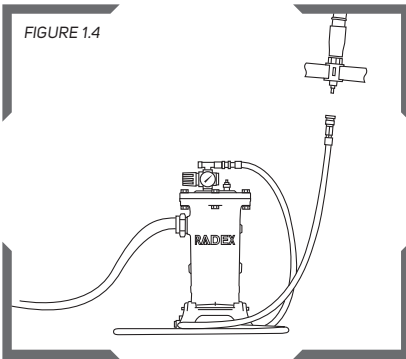
FIGURE 1.3



CONNECT AIR SUPPLY HOSE

Connect a RPB® Breathing Air Line insuring the maximum sections and lengths are within the specifications of the Breathing Air Pressure Table in the head-top instruction manual.

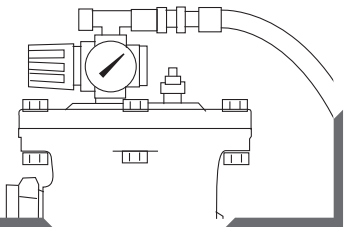
FIGURE 1.4



ADJUST AIR PRESSURE

Adjust the air pressure at the point of attachment according to the Breathing Air Pressure Table in the head-top instruction manual. Then connect the Breathing Air Line to the flow control device.

FIGURE 1.5

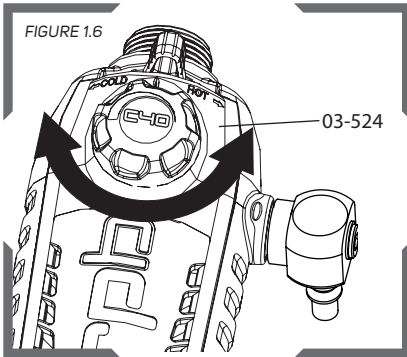


CHECK AIR PRESSURE

Re-check the air pressure at the point of attachment and adjust it if necessary. Ensure you are comfortable with the flow of air inside the respirator.

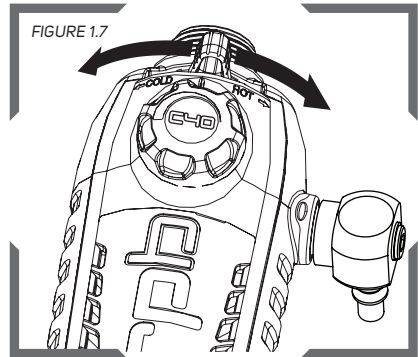
RPB C40™ CLIMATE CONTROL

SETUP AND CARE CONTINUED



ADJUSTING THE FLOW RATE

Air flowing into the respirator is controlled by the C40™ (03-502) by turning the Flow Knob (03-524). Note: With the pressure set according to the Breathing Air Pressure Table, the flow rate of air through the respirator should always exceed the minimum of 170 slpm.



ADJUSTING THE TEMPERATURE

To obtain cooler air, slide the regulator control selector to the left. This will increase the air flow out of the exhaust port. Similarly, slide the selector to the middle, this will increase the temperature of the air closer to the ambient temperature of your air supply, slide to the right for hot air.

WARNING

Do not use the C40™ on the cold setting when ambient temperature is below 20°C (68° F) as ice could form in the cold air outlet resulting in insufficient airflow. Do not ingest ice that is formed on the C40™ Climate Control Device. Ice may have contaminants in it that could be dangerous to your health.

BREATHING AIR PRESSURE TABLE

S - Special or Critical Users Instructions

Refer to the head-top instruction manual for Breathing Air Pressure Table. This table lists air pressure ranges needed to provide the RPB® Supplied Air Respirators when using the C40™ Climate Control Device with the volume of air that falls within the required range of 170-425 slpm (6-15cfm).

INSPECTION, CLEANING AND STORAGE

C40™ Climate Control Device

The RPB® C40™ Climate Control Device has a limited service life, and therefore a regular inspection and replacement program must be conducted. All components of a Respirator Assembly including the Breathing Air Line, Head-top and Flow Control Devices should be inspected for damage and wear and tear, before use. Before each use, disassemble the C40™ to where the clear U-Tube is visible to inspect. If any damaged or worn parts are found, they should be replaced immediately, or the unit disposed of. Use only parts and components that are part of the respirator assembly as set out in this instruction manual or that of the head-top. Refer to the parts list on page 19 for the correct part numbers to replace parts of the C40™ Climate Control Device. Clean with water and mild detergent or a disinfecting wipe. Dry all parts and reassemble.

Store or transport the C40™ in a cool dry environment with the rest of the respirator assembly, or by itself in a sealed container or bag outside of the work environment.

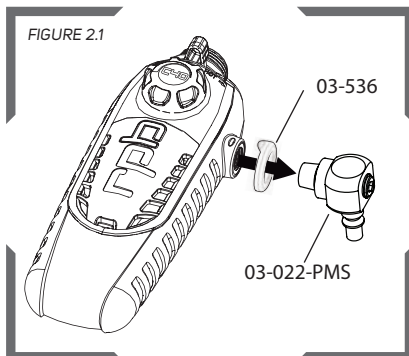
Breathing Air Line

Inspect the Breathing Air Line for cuts, cracks, blisters and excessive wear. Ensure the hose has not been crushed or kinked and that fittings are tightly crimped to the hose so air cannot escape. Replace the hose immediately if there are any signs of damage or wear.

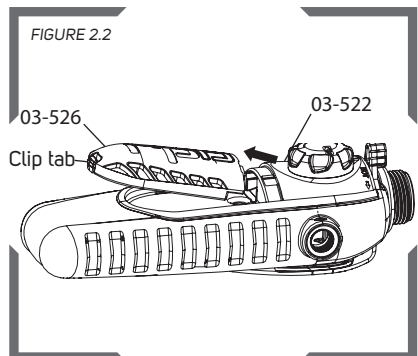
Do not run water through the inside of the hose. Check Quick Disconnect Couplings and use compressed air to remove any particles that may jam the coupler.

DISASSEMBLY INSTRUCTIONS

Let the device cool after use before disassembly. The inner components of this C40™ Climate Control Device will become very hot, take care when removing the parts so that you do not get burned. Allow sufficient time for the device to cool down before dismantling the device.



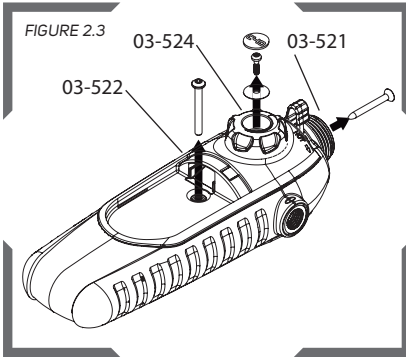
The first step is to use the Allen key to unscrew the Swivel Connector (03-022-PMS) from the body of the C40™. Unclip the (03-536) from the C40™ (03-502).



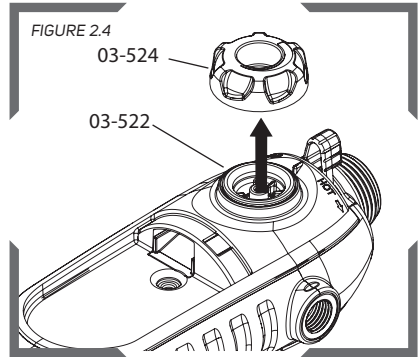
1. Push the clip tab on the Exhaust Cover (03-526) in until it unclips from Exhaust Case (03-522). 2. Lift up the (03-526) and slide it out of the (03-522).

RPB C40™ CLIMATE CONTROL

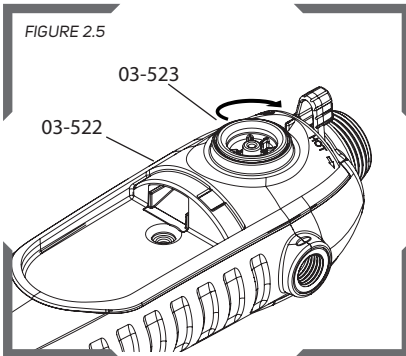
SETUP AND CARE CONTINUED



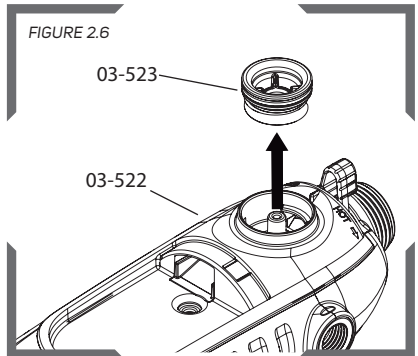
Remove the Cap from the Flow Knob (03-524) and then the screw and washer in the (03-524), as well as the screw from the Exhaust Case (03-522) and Top Casing (03-521) as shown in Figure 2.3.



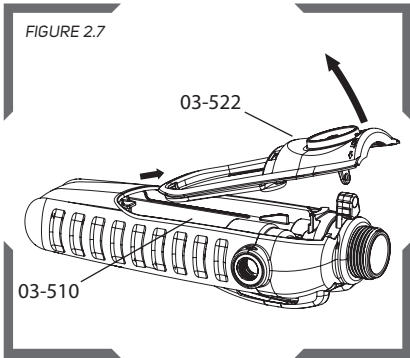
Remove the Flow Knob (03-524) from the Exhaust Case (03-522).



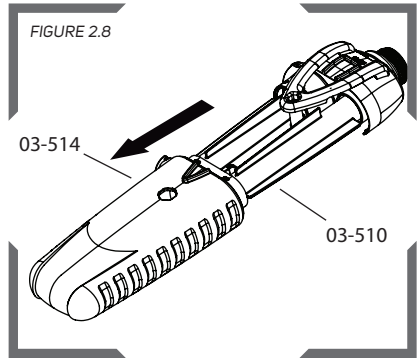
While pressing down firmly on Exhaust Case (03-522) turn the Flow Valve (03-523) 180° clockwise.



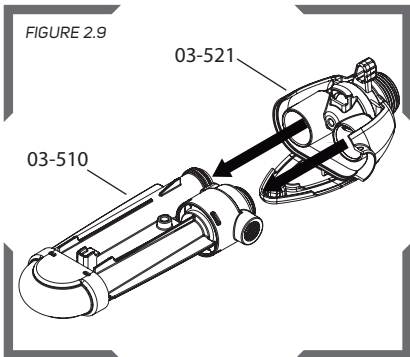
Remove the Flow Valve (03-523) from the Exhaust Case (03-522), taking care that the small center o-ring stays in place.



1. Lift the Exhaust Case (03-522) up from the U-Tube (03-510) 2. Slide the 03-522 out from the 03-510.



Lift the Belt Loop over the Bottom Case (03-514) to allow it to slide down off of the U Tube (03-510).



To finish disassembly of your C40™, take the U-Tube (03-510) and slide it off of Top Case (03-521).

Note:

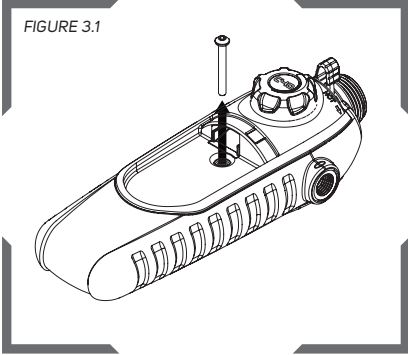
To assist in reassembly, fit the belt before installing the screws as per Figure 2.3.

Silencer plates are included in part 03-526 (Exhaust Cover and Silencers). These must be fitted when the 03-502 is in use.

RPB C40™ CLIMATE CONTROL

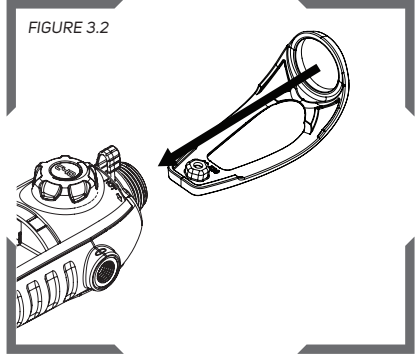
SETUP AND CARE CONTINUED

FIGURE 3.1



To change the belt loop, remove the center screw and slide the old belt loop off, over the threaded outlet.

FIGURE 3.2



To install the new belt loop, slide it on over the threaded outlet and line up the hex nut indentation with the hole in the back of the housing. Reinsert the center screw and reassemble the silencers and exhaust cover.

FLOW AND TEMPERATURE CHART

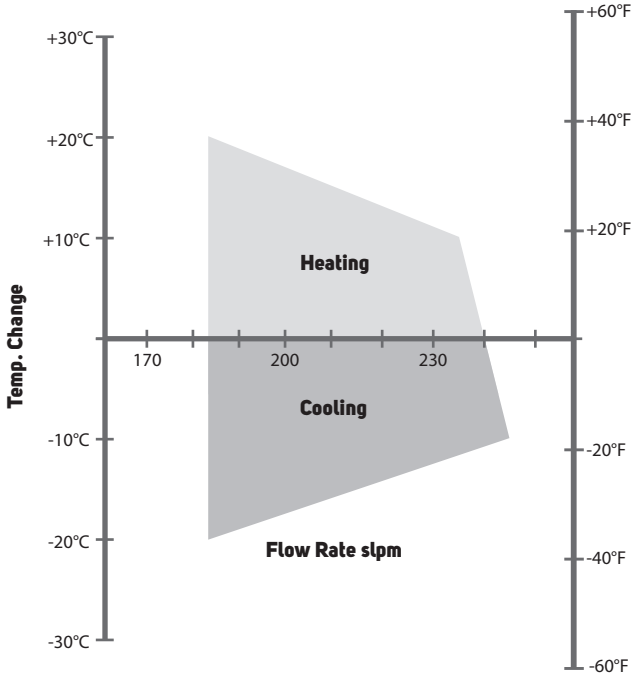


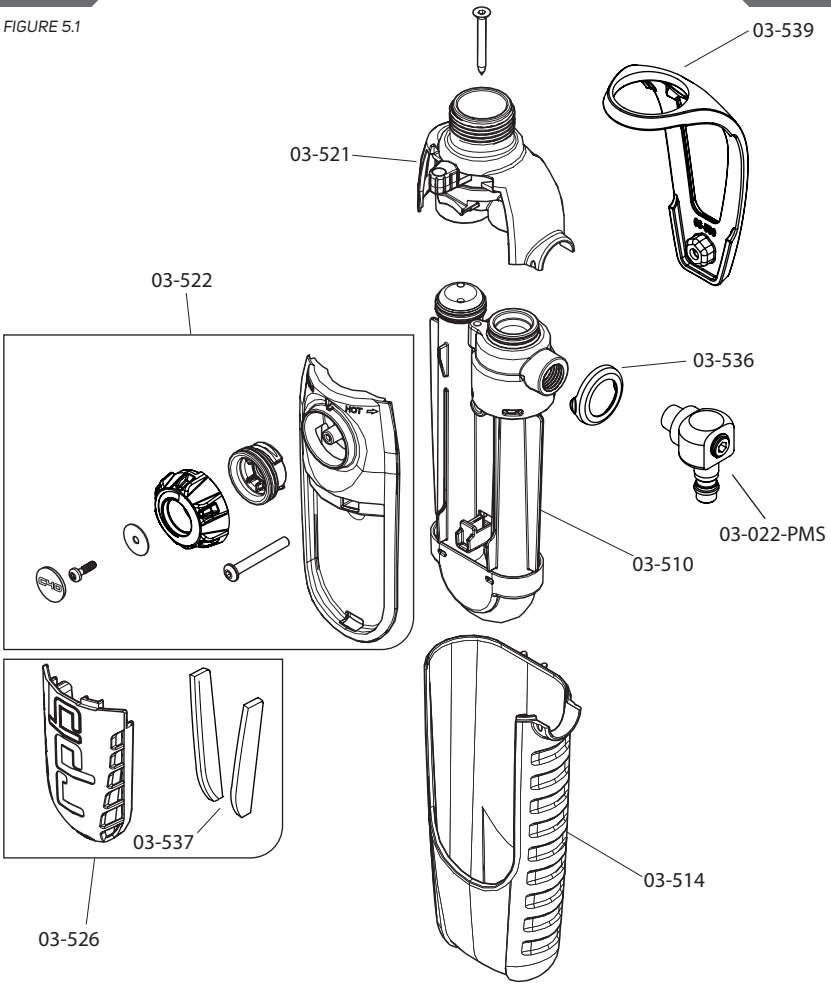
FIGURE 4.1

This chart shows the relationship between the flow rate and its effect on the heating and cooling of the air. The lower the flow rate, the more heating and cooling is achieved. The flow rate must stay above 170 slpm at all times.

RPB C40™ CLIMATE CONTROL

PARTS AND ACCESSORIES

FIGURE 5.1



⚠ WARNING

Use only exact, authentic RPB® replacement parts (marked with the RPB® logo and part number), and only in the specified configuration. Using incomplete or inappropriate equipment, including the use of counterfeit or non-RPB® parts, can result in inadequate protection.

PARTS LIST

| Item No. | Description | Part Number |
|-----------------|---|--------------------|
| 1 | U-Tube Assembly | 03-510 |
| 2 | Bottom Case | 03-514 |
| 3 | Top Case Assembly | 03-521 |
| 4 | Exhaust Assembly | 03-522 |
| 5 | Silencer Assembly | 03-526 |
| 6 | Silencers | 03-537 |
| 7 | RPB® Safety Quick Disconnect Swivel Plug | 03-022-PMS |
| 8 | Inlet Collar | 03-536 |
| 9 | Belt Loop and Nut | 03-539 |
| 10 | Replacement 2" Belt | 07-765 |
| | Replacement FR Nomex® 2" Belt with Acetyl Buckles | 07-765-FR |

LIMITED WARRANTY

RPB® warrants that its Products will be free from defects in materials and workmanship for one (1) year, subject to the terms of this limited warranty. The Products are sold only for commercial use, and no consumer warranties apply to the Products. This limited warranty is for the benefit of the original Product purchaser, and cannot be transferred or assigned. This is the sole and exclusive warranty provided by RPB®, and ALL CONDITIONS AND IMPLIED WARRANTIES (INCLUDING ANY WARRANTY OF MERCHANTABILITY OR FITNESS FOR A PARTICULAR PURPOSE) ARE EXCLUDED AND DISCLAIMED FROM WARRANTY COVERAGE. RPB's® limited warranty coverage does not apply to damage resulting from accident, improper use or misuse of the Products, wear and tear resulting from the normal use of the Products, or the failure to properly maintain the Products.

RPB's® limited warranty coverage runs from the original date of purchase of the Products, and applies only to warranted defects which first manifest themselves and are reported to RPB® within the warranty period. RPB® retains the right to determine to its reasonable satisfaction whether any claimed defect is covered by this limited warranty.

If a warranted defect occurs, RPB® will repair or replace the defective Product (or a component of the Product), in its sole discretion. This "repair or replacement" remedy is the sole and exclusive remedy under this limited warranty, and under no circumstances shall RPB's® liability under this limited warranty exceed the original purchase price for the Products (or the applicable component). RPB® has no responsibility for incidental or consequential damages, including loss of use, maintenance and other costs, and ALL INCIDENTAL AND CONSEQUENTIAL DAMAGES ARE EXCLUDED AND DISCLAIMED from this limited warranty. Contact RPB® to obtain warranty service. Proof of purchase must be provided to obtain warranty service. All costs of returning the Products to RPB® for warranty service must be paid by the purchaser.

RPB® reserves the right to improve its Products through changes in design or materials without being obligated to purchasers of previously manufactured Products.

LIABILITY

RPB® Safety cannot accept any liability of whatsoever nature arising directly or indirectly from the use or misuse of RPB® Safety products, including purposes that the products are not designed for. RPB® Safety is not liable for damage, loss or expense resulting from the failure to give advice or information or the giving of incorrect advice or information, whether or not due to RPB® Safety's negligence or that of its employees, agents or subcontractors.

NEDERLANDS

Raadpleeg de paginanummers van C40® CE Engels Gebruiksaanwijzing voor afbeeldingen en diagrammen.

UITLEG VAN SIGNAALWOORDEN EN SYMBOLEN

De volgende signaalwoorden en veiligheidssymbolen worden in deze handleiding en op de productetiketten gebruikt:



WAARSCHUWING geeft een gevaarlijke situatie aan die, als deze niet wordt vermeden, kan resulteren in overlijden of ernstig letsel.



GEVAAR geeft een gevaarlijke situatie aan die, als deze niet wordt vermeden, kan resulteren in overlijden of ernstig letsel.



Lees de Gebruiksaanwijzing.

Extra exemplaren van RPB® handleidingen kunnen gevonden worden op rpbsafety.com.

GECERTIFICEERD DOOR:

BSI Group The Netherlands B.V., Say Building, John M. Keynesplein 9, 1066 EP, Amsterdam, NL

RPB® Safety LLC is een ISO9001 gecertificeerd bedrijf.

INTRODUCTIE

De RPB® C40™ Thermoregelaar is ontworpen voor gebruik in veel verschillende industrieën, zoals stralen, schilderen, slijpen en andere dergelijke werkzaamheden waarbij u de luchttemperatuur in de adembeschermingskap zou willen aanpassen.

Dit product moet te allen tijde worden geïnspecteerd en onderhouden in overeenstemming met deze gebruiksaanwijzing.

Zie BESCHERMING EN BEPERKINGEN (pagina 22) voor meer informatie.

RPB® SAFETY - GLOBAL HEADQUARTERS

2807 Samoset Rd, Royal Oak, MI 48073, USA.

T: 1-866-494-4599 F: 1-866-494-4509 E: sales.us@rpbsafety.com **rpbsafety.com**

RPB® SAFETY - APAC

1 Ivan Jamieson Place, Christchurch Airport, Christchurch 8053 New Zealand.

T: +64-3-357-1761 F: +64-3-357-1763 E: sales.nz@rpbsafety.com **rpbsafety.com**

RPB® SAFETY - EMEA

T: +44-800-689-5031 E: sales@rpbsafety.co.uk **rpbsafety.com**

Copyright © 2019 RPB Safety, LLC. Alle rechten voorbehouden. Alle materialen op deze website zijn beschermd door de Amerikaanse auteursrechtwetgeving en mogen niet worden gereproduceerd, gedistribueerd, overgedragen, weergegeven, gepubliceerd of uitgezonden zonder de voorafgaande schriftelijke toestemming van RPB Safety, LLC. U mag geen handelsmerk, auteursrecht of andere kennisgeving van kopieën van de inhoud wijzigen of verwijderen.

C40™ CLIMATE CONTROL

Alle handelsmerken, servicemerken en logo's die in deze publicatie worden gebruikt, zowel geregistreerd als niet-geregistreerd, zijn de handelsmerken, servicemerken of logo's van hun respectieve eigenaars. Alle rechten op het intellectuele eigendom van RPB in deze publicatie, inclusief auteursrecht, handelsmerken, dienstmerken, bedrijfsgeheimen en octrooirechten, zijn voorbehouden. RPB Intellectual Property omvat elk octrooi, gepatenteerde artikelen, octrooiaanvragen, ontwerpen, industriële ontwerpen, auteursrechten, software, broncode, databaserechten, morele rechten, uitvindingen, technieken, technische gegevens, handelsgeheimen, knowhow, merken, handelsmerken, handelsnamen, slogans, logo's en ander gemeen recht en eigendomsrechten, al dan niet geregistreerd, die in het bezit zijn van, geheel of gedeeltelijk zijn ontwikkeld door of in licentie zijn gegeven door RPB Safety, LLC.

Neem voor technische ondersteuning contact op met onze klantenservice: 1-866-494-4599 of e-mail: customerservice@rpbsafety.com

FORMULIER #: 7.20.560

HERZIENING: 2

BELANGRIJKE VEILIGHEIDSINFORMATIE

WAARSCHUWING

Onjuiste selectie, gebruik of onderhoud van dit product kan tot letsel leiden; levensbedreigende vertraagde long-, huid- of oogziekte; of de dood. Dit product is bedoeld voor beroepsmatig gebruik in overeenstemming met de geldende normen of voorschriften voor uw locatie, industrie en werkzaamheid (zie Verantwoordelijkheden van de Werkgever, pagina 24). Bekendheid met normen en voorschriften met betrekking tot het gebruik van deze beschermende uitrusting wordt aanbevolen, ook als deze niet direct op u van toepassing zijn. Indien gebruikt in een zelfstandige omgeving of in een niet-professionele omgeving, raadpleeg de Verantwoordelijkheden van de Werkgever en de Veiligheidsinstructies voor de Gebruiker. Ga naar rpbsafety.com/important-safety-information/ voor nuttige links naar OSHA en andere inhoud.

Werkgevers Lees deze handleiding en de Gebruiksaanwijzing van de luchtkap en voer de Verantwoordelijkheden van de Werkgever uit (pagina 24).

Productgebruikers: Lees deze handleiding en de Gebruiksaanwijzing van de luchtkap en volg de Veiligheidsinstructies voor de Gebruiker op (pagina 26).

Kijk op de website voor updates. Producthandleidingen worden regelmatig bijgewerkt. Ga naar rpbsafety.com/resources/ voor de meest recente versie van deze handleiding voor gebruik van het product.

BESCHERMING EN BEPERKINGEN

ADEMHALING

De RPB® C40™ regelaar is onderdeel van een ademhalingstoestel in de volgende categorieën:

Ademlucht

De RPB® C40™ Thermoregelaar, indien correct gemonteerd en gebruikt met alle benodigde onderdelen, inclusief de Luchtkap, ademhalings slang en ademluchtslang, is één van de onderdelen van een ademhalingstoestel. Als zodanig vermindert deze significant de

hoeveelheid vervuiling die door de gebruiker wordt ingeademd, al wordt het inademen hiervan niet volledig geëlimineerd voor de gebruiker van het ademhalingsstoestel. Gebruik met een Ademlucht filter, zoals de O4-900 RPB® RADEX® Ademlucht Filter. Specifieke bescherming hangt af van de instelling van de Ademlucht filter (zie de Gebruiksaanwijzing voor RPB® RADEX® of voor de ademlucht filter die gebruikt wordt).

WAARSCHUWING

De RPB® C40™ Thermoregelaar is **NIET VOOR GEBRUIK** geschikt als:

- De atmosfeer onmiddellijk gevaar levert voor leven of gezondheid.
- De drager niet kan ontsnappen zonder hulp van het ademhalingsstoestel.
- Het percentage zuurstof in de omgeving lager ligt dan 21% ±1%.
- Bescherming tegen gevaarlijke gassen (bijv. koolmonoxide).
- Het verontreinigingsniveau hoger ligt dan de voorschriften of aanbevelingen.
- Het soort verontreiniging of de concentratie van verontreiniging onbekend is.
- De werkplaats slecht geventileerd is.
- De temperatuur buiten het bereik van -10°C tot +60°C (14°F to 140°F) valt.

DIAGRAM VAN ADEMHALINGSONDERDELEN

Een RPB® Ademhalingsstoestel bestaat uit drie hoofdcomponenten:

AFBEELDING 1.1 OP PAGINA 5

1. Luchtkap
2. Ademhalings slang en Regelaar
3. Ademluchtslang

VOORZORGSMAATREGELEN EN BEPERKINGEN

- A Niet voor gebruik als de omgeving minder dan 21% ±1% zuurstof bevat.
- B Niet voor gebruik in atmosferen die onmiddellijk gevaar leveren voor het leven of de gezondheid.
- C Overschrijd geen maximumconcentraties die zijn vastgesteld door wettelijke normen.
- D Ademluchtapparatuur kan alleen worden gebruikt wanneer het toestel wordt geleverd met ademlucht die ten minste voldoet aan de EN 12021- AS/NZS 1715 vereisten.
- E Gebruik alleen de drukbereiken en slanglengtes die zijn gespecificeerd in de Gebruiksaanwijzing.
- J Als dit product niet op de juiste manier wordt gebruikt en onderhouden, kan dit letsel of de dood tot gevolg hebben.
- M Alle goedgekeurde toestellen moeten worden geselecteerd, gepast, gebruikt en onderhouden in overeenstemming met de lokale wetgeving en andere geldende voorschriften.
- N Vervang nooit onderdelen, pas ze niet aan en laat ze niet weg. Gebruik alleen exacte vervangende onderdelen die door de fabrikant zijn aangegeven.
- O Raadpleeg de gebruiksaanwijzing en/of onderhoudshandleidingen voor informatie over gebruik en onderhoud van deze ademhalingsstoestellen.
- S Speciale of kritische gebruikersinstructies en / of specifieke beperkingen zijn van toepassing. Raadpleeg "Luchtdruktemperatuur ademen" in de instructiehandleiding van de Head-Top voordat u deze aanbrengt, zoals aangegeven op pagina 12.

LUCHTBRON, FITTINGEN EN DRUK

LUCHTBRON

Ademlucht

Lokaliseer de luchtbron in een omgeving met schone lucht, gebruik altijd een filter op de inlaat van uw luchtbron. Zorg ervoor dat de luchtbron ergens is waar voertuigen, vorkheftrucks en andere machines niet in de buurt van de luchtinlaat aan staan, omdat hierdoor koolmonoxide in uw Ademlucht wordt aangetrokken. Gebruik altijd geschikte koel- en drooginstallaties met filters en koolmonoxidemelders om ervoor te zorgen dat er altijd schone ademlucht wordt aangevoerd. Aanbevolen zijn een Radex® Ademlucht Filter (04-900) en een GX4® Gasmonitor (08-400). De lucht moet regelmatig worden bemonsterd om ervoor te zorgen dat deze voldoet aan de EN 12021 en AS/NZS 1715 normen.

LUCHTKWALITEIT

Dit ademhalingstoestel moet te allen tijde worden voorzien van schone ademlucht. Ademlucht moet minimaal voldoen aan de normen EN 12021 en AS/NZS 1715. De RPB® C40™ zuivert geen lucht en filtert geen verontreinigingen. Gebruik altijd een koolmonoxide-meter.

GEVAAR

Sluit de ademluchtslang van het ademhalingstoestel niet aan op stikstof, giftige gassen, inerte gassen of andere niet-adembare luchtbronnen.

Controleer de luchtbron voordat u het masker gebruikt. Dit toestel is niet ontworpen voor gebruik met mobiele Ademluchtssystemen, b.v. cilinders. Het verbinden van de toevoerslang met een niet-adembare luchtbron zal tot ernstig letsel of de dood leiden.

ADEMLUCHTSLANGEN EN FITTINGEN

RPB® ademluchtslangen en -fittingen moeten worden gebruikt tussen het bevestigingspunt en de aansluiting van het ademhalingstoestel op de riem van de drager. De onderdelen van de slang moeten zich binnen de juiste lengte bevinden en het aantal onderdelen moet binnen het aantal vallen dat is aangegeven in de Ademluchtdruktabel in de gebruiksaanwijzing van de luchtkap.

ADEMLUCHTDRUK

De luchtdruk moet continu worden gecontroleerd op het bevestigingspunt. Luchtdruk moet worden afgelezen van een betrouwbare manometer terwijl er lucht door het ademhalingstoestel stroomt.

VERANTWOORDELIJKHEDEN VAN DE WERKGEVER

Uw specifieke verantwoordelijkheden kunnen verschillen per locatie en branche, maar over het algemeen verwacht RPB® dat werkgevers:

■ Alle geldende normen en voorschriften voor uw locatie, branche en werkzaamheid opvolgen.

Afhankelijk van uw locatie en branche, kunnen een aantal normen en voorschriften van toepassing zijn op uw selectie en gebruik van ademhalingstoestellen en andere persoonlijke beschermende uitrusting. Deze kunnen bijvoorbeeld nationale, lokale of militaire normen en voorschriften en standaarden zoals CE en AS/NZS omvatten. Er zijn ook vereisten specifiek voor bepaalde verontreinigingen, b.v. silica (zie rpbsafety.com/important-safety-information/ voor meer informatie), asbest, organische ziekteverwekkers, enz. Weet welke eisen van toepassing zijn op uw locatie en branche.

■ **Zorg voor geschikte veiligheidsprogramma's.**

Heb en volg:

- Een veiligheidsprogramma voor de werkplek.
- Een geschreven programma voor ademhalingsbescherming in overeenstemming met de van toepassing zijnde normen en voorschriften.

■ **In overeenstemming met bovenstaande,**

■ **Voer een gevarenanalyse uit en selecteer gepaste uitrusting voor elke werkzaamheid.**

Een bevoegd persoon moet een gevarenanalyse uitvoeren. Er moeten waar nodig controles plaatsvinden en een gekwalificeerd persoon moet bepalen welk soort ademhalings-, gezichts-, oog-, hoofd- en gehoorbescherming geschikt zijn voor de beoogde werkzaamheden en gebruiksomstandigheden. (Kies bijvoorbeeld een ademhalingstoestel dat geschikt is voor de specifieke gevaarlijke luchtverontreinigingen, rekening houdend met de werkplek en de gebruiker en met een Toegekende Protectie Factor (TPF) die aan de vereiste norm voor werknemersbescherming voldoet of dit overtreft, selecteer gezichts- en oogbescherming passend bij het soort laswerk dat gedaan moet worden, etc.)

Indien van toepassing, controleer uw veiligheidsprogramma op de werkplek, het programma voor ademhalingsbescherming en de normen en voorschriften voor uw werkzaamheid of branche voor gerelateerde beschermingsvereisten en raadpleeg deze handleiding (Bescherming en Beperkingen, pagina 22) en de Gebruiksaanwijzing van de Luchtkap voor productspecificaties.

■ **Zorg ervoor dat werknemers medisch gekeurd zijn voordat zij een beademingsapparaat gebruiken.**

Laat een gekwalificeerde arts of andere bevoegde zorgverlener medische evaluaties uitvoeren met behulp van een medische vragenlijst of een standaard medisch onderzoek.

■ **Train medewerkers in het gebruik, onderhoud en de beperkingen van de C40™.**

Benoem een gekwalificeerd persoon met voldoende kennis over de RPB® C40™ en nationale en lokale normen om training te geven:

Kwalificaties van de Ademhalingstoestel-Trainer. Iedereen die training voor het ademhalingstoestel verzorgt, moet:

- a) goed geïnformeerd zijn over de toepassing en het gebruik van de ademhalingstoestellen;
- b) praktische kennis toepassen bij de selectie en het gebruik van ademhalingstoestellen en werkmethoden op de werkplaats;
- c) inzicht hebben in het programma voor ademhalingstoestellen van de werkplek; en
- d) kennis hebben van geldende regels.

Train elke C40™-gebruiker voor het gebruik, de toepassing, de inspectie, het onderhoud, de opslag, de pasvorm en de beperkingen van het product in overeenstemming met de inhoud van deze Gebruiksaanwijzing en de handleiding van de gekeurde luchtkap en de standaard- of wettelijke vereisten. Zorg ervoor dat iedere beoogde gebruiker beide handleidingen leest.

■ **Zorg ervoor dat de uitrusting correct is gemonteerd, gebruikt en onderhouden.**

Zorg ervoor dat de uitrusting correct is gemonteerd, geïnspecteerd, gepast, gebruikt en onderhouden, inclusief het dragen van de C40™ aan de riem om het middel van de

C40™ CLIMATE CONTROL

gebruiker, de U-buis is schoon en de geluiddempers zitten op hun plaats.

■ **Meet en controleer de luchtverontreiniging op de werkplaats.**

Meet en controleer de niveaus van luchtverontreiniging op de werkplaats in overeenstemming met de geldende voorschriften. Zorg ervoor dat de werkplaats goed geventileerd is.

■ **Neem voor vragen contact op met RPB®.**

- Bel de klantenservice:
Tel: 1-866-494-4599
E-mail: customerservice@rpbsafety.com
Web: rpbsafety.com

VEILIGHEIDSINSTRUCTIES VOOR DE GEBRUIKER

VÓÓR HET EERSTE GEBRUIK - TRAINING EN MEDISCHE KWALIFICATIE

Gebruik dit apparaat niet totdat u deze handleiding en de Gebruiksaanwijzing van de luchtkap heeft gelezen (extra exemplaren beschikbaar op rpbsafety.com) en getraind bent in het gebruik, het onderhoud en de beperkingen door een gekwalificeerd persoon (benoemd door uw werkgever) die kennis heeft van de RPB® C40™ Thermoregelaar.

Draag dit ademhalingstoestel pas als u bent geslaagd voor een medische evaluatie met een medische vragenlijst of een eerste medisch onderzoek door een gekwalificeerde arts of een andere bevoegde zorgverlener.

Allergenen: Er zijn in dit product geen bekende of veel voorkomende allergenen gebruikt.

Sommige materialen kunnen een allergische reactie veroorzaken bij personen die daarvoor gevoelig zijn. Als u allergisch bent of een irritatie ontwikkelt, licht dan uw werkgever in. Irritatie kan optreden als gevolg van een gebrek aan reiniging. Volg alle reinigings- en onderhoudsinstructies in de handleidingen voor dit en alle andere RPB®-producten die u gebruikt.

CONTROLEER OF HET SYSTEEM GEBRUIKSKLAAR IS

Zorg dat u een compleet systeem heeft. De C40™ is slechts één component van een ademhalingstoestel. Controleer of u alle benodigde componenten heeft voor een compleet ademhalingstoestel:

- Luchtkap
- Ademhalings slang
- C40™ Thermoregelaar
- Ademluchtslang

Zie het *Diagram; Componenten van het Ademhalingstoestel* (pagina 23). Controleer het keuringsetiket van de luchtkap om te controleren of deze is goedgekeurd voor gebruik met de RPB® C40™. Gebruik alleen authentieke RPB®-merkonderdelen en -componenten die deel uitmaken van het gekeurde ademhalingstoestel. Het gebruik van onvolledige of ongeschikte onderdelen, waaronder het gebruik van nagemaakte of niet-RPB®-onderdelen, kan leiden tot onvoldoende bescherming. Pas geen enkel deel van dit product aan, en verander niets. De C40™ Theroregelaar kan niet worden gebruikt met een Lagedruk-Luchtpomp, omdat deze niet voldoende lucht aanvoert.

Volg de montage- en onderhoudsinstructies; inspecteer alle componenten dagelijks, inclusief

de interne componenten, op tekenen van beschadiging of slijtage die het oorspronkelijke beschermingsniveau kunnen verminderen. Verwijder elk beschadigd onderdeel of product. Beschadigde onderdelen moeten worden vervangen door originele vervangingsonderdelen van het merk RPB®. Inspecteer de binnenkant van de C40™ op inhaleerbaar stof of andere vreemde voorwerpen. Houd de binnenkant van de C40™ altijd schoon.

Zorg ervoor dat de C40™ correct is gemonteerd. Gebruik het apparaat nooit zonder dat alle componenten op hun plaats zitten. Een incompleet of onjuist geïnstalleerd C40™-systeem kan ontoereikende ademhalingsbescherming bieden. *Zie Montage en Onderhoud (pagina 28).*

VOORDAT DE C40™ OP HET ADEMHALINGSTOESTEL AANGESLOTEN WORDT:

Controleer of verontreinigingen in de lucht binnen de aanbevolen limieten voor gebruik van ademhalingsstoestellen vallen:

- Bepaal het soort en niveau van vervuiling. Controleer of de concentraties van verontreinigingen in de lucht niet groter zijn dan toegestaan door de EN 12021 and AS/NZS 1715 normen en de aanbevelingen voor ademhalingsstoestellen met ademlucht.

Zorg dat het gebied geventileerd en gecontroleerd wordt:

- Zorg ervoor dat het gebied goed geventileerd is en dat er regelmatig luchtmonsters genomen worden om te bevestigen dat de atmosfeer binnen de niveaus blijft die worden aanbevolen door geldende voorschriften en normen. Voor Ademlucht wordt het gebruik van een GX4®-Gasmonitor aanbevolen. Volg de Gebruiksaanwijzing van de GX4®-gasmonitor.

Als u vragen heeft, vraag deze aan uw werkgever.

BETREED DE WERKPLEK NIET als één van de volgende omstandigheden zich voordoet:

- De atmosfeer levert direct gevaar voor het leven of de gezondheid.
- De drager kan niet ontsnappen zonder hulp van het ademhalingsstoestel.
- Het percentage zuurstof in de omgeving ligt lager dan 21% ±1%.
- Het verontreinigingsniveau ligt hoger dan de voorschriften of aanbevelingen.
- Het soort verontreiniging of de concentratie van verontreiniging is onbekend.
- De werkplaats is slecht geventileerd.
- De temperatuur valt buiten het bereik van -10 ° C tot + 60 ° C (14 ° F tot 140 ° F).

VERLAAT DE WERKPLAATS ONMIDDELIJK INDIEN:

- Een onderdeel beschadigd raakt.
- Het gezichtsvermogen is aangetast.
- Luchttoevoer stopt of vertraagt.
- Ademen moeilijk wordt.
- U duizelig, misselijk, te heet, te koud of ziek bent.
- Uw ogen, neus of huid geïrriteerd raken.
- U verontreinigingen in de kap proeft, ruikt of ziet.
- U een andere reden heeft om te vermoeden dat het ademhalingsstoestel niet voldoende bescherming biedt.

ONDERHOUD

Plaats de C40™ nooit op hete oppervlakken. Breng geen verf, oplosmiddelen, kleefstoffen of zelfklevende etiketten aan, tenzij aan de hand van instructies van RPB®. Bepaalde chemicaliën

C40™ CLIMATE CONTROL

kunnen schadelijk zijn voor dit product.

Zie het gedeelte “Inspectie, Reiniging en Opslag” (p.29) voor reinigingsinstructies.

MONTAGE EN ONDERHOUD

AFBEELDING 1.2 OP PAGINA 11

BEVESTIG DE ADEMHALINGSSLANG

Bevestig de draaimoer van de Ademhalings slang aan de C40™ Thermoregelaar (03-502). Schroef de draaimoer kloksgewijs tot deze vast zit.

AFBEELDING 1.3 OP PAGINA 11

SLUIT ADEMLUCHTSLANG AAN

Sluit een RPB® Ademluchtslang aan, en zorg ervoor dat het maximale aantal onderdelen en de slanglengtes binnen de specificaties van de Ademluchtdruktabel vallen (deze staat in de gebruiksaanwijzing voor de Luchtkap).

AFBEELDING 1.4 OP PAGINA 11

PAS LUCHTDRIK AAN

Pas de luchtdruk op het bevestigingspunt aan zoals gespecificeerd in de Ademluchtdruktabel in de gebruiksaanwijzing voor de Luchtkap. Verbind dan de Ademluchtslang aan de regelaar.

AFBEELDING 1.5 OP PAGINA 11

CONTROLEER LUCHTDRIK

Controleer nogmaals de luchtdruk op het bevestigingspunt en pas deze aan indien nodig. Zorg ervoor dat er een comfortabele mate van luchttoevoer naar het ademhalingstoestel is.

AFBEELDING 1.6 OP PAGINA 12

DE LUCHTTOEVOER AANPASSEN

De C40™(03-500) bepaalt de luchttoevoer naar het ademhalingstoestel door een draai aan de Toevoer-Knop (03-524). Let op: Als de druk is ingesteld volgens de Ademluchtdruktabel, zal de luchttoevoer door het ademhalingstoestel altijd boven het minimum van 170 slpm liggen.

AFBEELDING 1.7 OP PAGINA 12

ADJUSTING THE TEMPERATURE

Om koelere lucht te krijgen, schuift u de knop van de regelaar naar links. Hierdoor wordt de luchttoevoer uit de uitlaatpoort verhoogd. Schuif de knop naar het midden om de temperatuur van de lucht dichter bij de omgevingstemperatuur van uw luchttoevoer te brengen, schuif naar rechts voor warme lucht.

⚠ WAARSCHUWING

Gebruik de C40™ niet in de koele stand wanneer de omgevingstemperatuur lager is dan 20°C (68°F), aangezien zich ijs kan vormen in de koude luchtuitlaat, wat resulteert in onvoldoende luchttoevoer. Consumeer geen ijs in dat is gevormd op de C40™ Thermoregelaar. IJs bevat mogelijk verontreinigingen die een gevaar kunnen leveren voor uw gezondheid.

ADEMLUCHTDRIKTABEL

S - Bijzondere of Belangrijke Aanwijzingen voor de Gebruiker

Zie de gebruiksaanwijzing voor de Luchtkap voor de Ademluchtdruktabel. In deze tabel worden de luchtdruk bereiken vermeld die nodig zijn om de RPB® Ademhalingstoestellen met Ademlucht te voorzien bij gebruik van de C40™ Thermoregelaar met het luchtvolume dat binnen het vereiste bereik van 170-425 liter/min (6-15cfm) valt.

INSPECTIE, REINIGING EN OPSLAG

C40™ Thermoregelaar

De RPB® C40™ Thermoregelaar heeft een beperkte levensduur en daarom moet er regelmatig een inspectie- en vervangingsroutine worden uitgevoerd. Alle componenten van een Ademhalingstoestel, inclusief de Ademluchtslang, Luchtkap en Regelaars, moeten vóór gebruik worden gecontroleerd op beschadiging en slijtage. Haal de C40™ uit elkaar vóór ieder gebruik, tot waar de doorzichtige U-buis zichtbaar is voor inspectie. Als er beschadigde of versleten onderdelen zijn, moeten deze onmiddellijk worden vervangen of moet de regelaar worden weggedaan. Gebruik alleen onderdelen en componenten die deel uitmaken van de gekeurde ademhalingstoestellen zoals beschreven in deze gebruiksaanwijzing of die van de luchtkap. Raadpleeg de onderdelenlijst op pagina 31 voor de juiste onderdeelnummers om onderdelen van de C40™ Thermoregelaar te vervangen. Reinig met water en een mild reinigingsmiddel of een desinfecterend doekje. Droog alle onderdelen en monteer opnieuw.

Bewaar de C40™ in een koele, droge omgeving met de rest van het ademhalingstoestel of los in een afgesloten container buiten de werkomgeving.

Ademluchtslang

Inspecteer de Ademluchtslang op sneetjes, scheuren, blaren en overmatige slijtage. Zorg ervoor dat de slang niet is geplet of geknikt en dat de fittingen stevig zijn vastgedraaid zodat de lucht niet kan ontsnappen. Vervang de slang onmiddellijk als er tekenen van beschadiging of slijtage zijn.

Laat geen water door de binnenkant van de slang lopen. Reinig de Snelkoppelingen met een luchtdrukspuit om alle deeltjes of vuil dat in de koppeling terecht kan zijn gekomen te verwijderen.

INSTRUCTIES VOOR DEMONTAGE

Laat het apparaat na gebruik afkoelen voordat u het demonteert. De interne componenten van deze C40™ Thermoregelaar zullen erg heet worden, verwijder de onderdelen voorzichtig, zodat u zich niet verbrandt. Geef het apparaat voldoende tijd om af te koelen voordat u het ontmantelt.

AFBEELDING 2.1 OP PAGINA 13

De eerste stap is om de inbussleutel te gebruiken om de Wartelaansluiting (03-012-PMS) van de behuizing van de C40™ los te draaien. Ontkoppel de (03-536) van de C40™ (03-502).

AFBEELDING 2.2 OP PAGINA 13

1. Duw het Schuifje op de Behuizing (03-526) naar binnen totdat het uit de Behuizing van de Uitlaat (03-522) komt. 2. Til (03-526) op en schuif deze uit (03-522).

AFBEELDING 2.3 OP PAGINA 14

Verwijder de dop van de Toevoer-Knop (03-

524) en verwijder vervolgens de schroef en ring in (03-524), evenals de schroef uit de Behuizing van de Uitlaat (03-522) en uit de bovenkant van de Behuizing (03-521) zoals afgebeeld in afbeelding 2.3.

AFBEELDING 2.4 OP PAGINA 14

Verwijder de Toevoer-Knop (03-524) van de Behuizing van de Uitlaat (03-522).

AFBEELDING 2.5 OP PAGINA 14

Druk met één hand stevig op de Behuizing van de Uitlaat (03-522) en draai het Toevoer-Ventiel (03-523) 180 ° met de klok mee.

rpbl C40™ CLIMATE CONTROL

AFBEELDING 2.6 OP PAGINA 14

Verwijder het Toevoer-Ventiel (03-523) van de Behuizing van de Uitlaat (03-522) en zorg ervoor dat de kleine o-ring in het midden op zijn plaats blijft.

AFBEELDING 2.7 OP PAGINA 15

1. Til de Behuizing van de Uitlaat op (03-522) om bij de U-buis te komen (03-510) 2. Schuif de Behuizing van de Uitlaat (03-522) van de U-buis af 03-510.

AFBEELDING 2.8 OP PAGINA 15

Til de riemlus over de Onderkant van de Behuizing (03-514) zodat deze naar beneden van de U-buis af kan schuiven (03-510).

AFBEELDING 2.9 OP PAGINA 15

Om de demontage van uw C40™ te voltooien, neemt u de U-buis (03-510) en schuift u deze van de Bovenkant van de Behuizing (03-521).

Let op:

Om het opnieuw in elkaar zetten te vergemakkelijken, zet de riem vast voordat u de schroeven plaats volgens Afbeelding 2.3.

Geluidempers zijn opgenomen in deel 03-526 (Behuizing van de Uitlaat en Geluidempers). Deze moeten worden aangebracht wanneer de 03-502 in gebruik is.

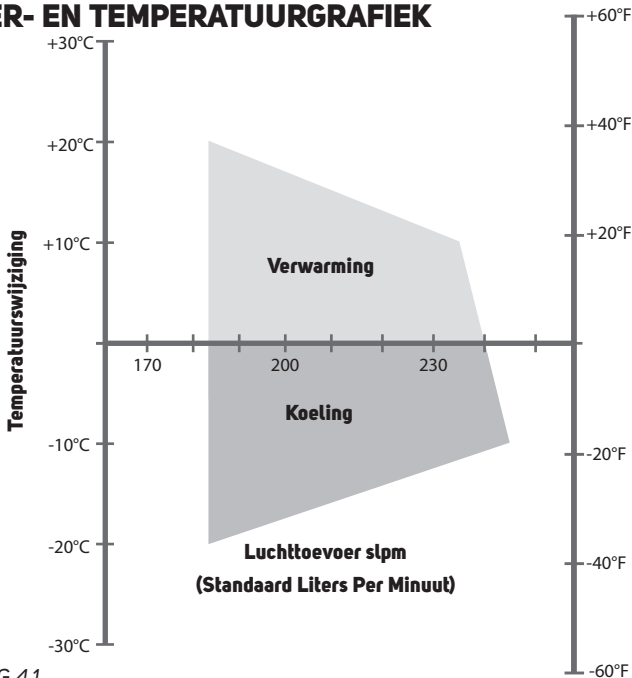
AFBEELDING 3.1 OP PAGINA 16

Om de riemlus te vervangen, verwijdert u het midden schroef en schuift de oude riemlus eraf, over de draaduitgang.

AFBEELDING 3.2 OP PAGINA 16

Om de nieuwe riemlus te installeren, schuift u deze over de uitlaat met schroefdraad en lijn de zeskantmoer uit inkeping met het gat in de achterkant van de behuizing. Plaats de centrerschroef en monteer de geluidempers en het uitlaatdeksel opnieuw.

TOEVOER- EN TEMPERATUURGRAFIEK



AFBEELDING 4.1

Deze grafiek toont de relatie tussen de luchttoevoer en het effect op de verwarming en koeling van de lucht. Hoe lager de luchttoevoer, hoe meer verwarming en koeling wordt bereikt. De luchttoevoer moet te allen tijde boven 170 slpm blijven.

ONDERDELEN EN ACCESSOIRES

AFBEELDING 5.1 OP PAGINA 18

LIJST MET ONDERDELEN

| Item Nr. | Beschrijving | Onderdeel Nummer |
|----------|--|------------------|
| 1 | U-buis | 03-510 |
| 2 | Onderkant Behuizing | 03-514 |
| 3 | Bovenkant Behuizing | 03-521 |
| 4 | Uitlaat set | 03-522 |
| 5 | Geluidsdemper set | 03-526 |
| 6 | Geluidsdemper | 03-537 |
| 7 | RPB® Snel Loskoppelen Veiligheids-Wartelaansluiting | 03-022-PMS |
| 8 | Inlaatkraag | 03-536 |
| 9 | Riemlus en Moer | 03-539 |
| 10 | Vervanging 2" riem | 07-765 |
| | Vervangende FR (brandvertragende) Nomex® 2" riem met acetyl gespen | 07-765-FR |



WAARSCHUWING

Gebruik alleen exacte, authentieke RPB®-

vervangingsonderdelen (gemarkeerd met het RPB®-logo en onderdeelnummer) en alleen in de aangegeven opstelling. Gebruik van onvolledige of ongeschikte uitrusting, waaronder het gebruik van nagemaakte of niet-RPB®-onderdelen, kan resulteren in onvoldoende bescherming.

BEPERKTE GARANTIE

RPB® garandeert dat haar Producten gedurende één (1) jaar vrij zijn van materiaal- en fabricagefouten, met inachtneming van de voorwaarden van deze beperkte garantie. De Producten worden alleen verkocht voor commercieel gebruik en er zijn geen consumentengaranties van toepassing op de Producten. Deze beperkte garantie komt ten goede aan de oorspronkelijke koper van het Product en kan niet worden overgedragen of toegewezen. Dit is de enige en exclusieve garantie die door RPB® wordt geboden en ALLE VOORWAARDEN EN STILZWIJGENDE GARANTIES (INCLUSIEF ELKE GARANTIE VAN VERKOOPBAARHEID OF GESCHIKTHEID VOOR EEN BEPAALD DOEL) WORDEN UITGESLOTEN EN UITGESLOTEN VAN DE GARANTIEDEKKING. De beperkte garantiestedkking van RPB® is niet van toepassing op schade die voortvloeit uit een ongeval, oneigenlijk gebruik of verkeerd gebruik van de Producten, slijtage als gevolg van het normale gebruik van de Producten of het niet correct onderhouden van de Producten.

De beperkte garantiestedkking van RPB® geldt vanaf de oorspronkelijke aankoopdatum van de Producten en is alleen van toepassing op gebreken die zich voor het eerst manifesteren en die binnen de garantieteriode aan RPB® worden gemeld. RPB® behoudt het recht om naar redelijke tevredenheid te bepalen of een geclaimd defect onder deze beperkte garantie valt.

Als er defect optreedt dat onder de garantie valt, zal RPB® naar eigen goeddunken het defecte Product (of een onderdeel van het product) repareren of vervangen. Deze 'reparatie of vervanging' oplossing is de enige en exclusieve remedie onder deze beperkte garantie en de aansprakelijkheid van RPB® onder deze beperkte garantie zal onder geen enkele omstandigheid de oorspronkelijke aankoopprijs voor de Producten (of het toepasselijke onderdeel) overschrijden. RPB® is niet verantwoordelijk voor incidentele of gevolgschade, inclusief gebruiksderving, onderhoud en andere kosten, en ALLE INCIDENTELE EN GEVOLGSCHADE ZIJN UITGESLOTEN EN NIET ERKEND door deze beperkte garantie. Neem contact op met RPB® voor garantieservice. Een bewijs van aankoop moet worden verstrekt om garantieservice te krijgen. Alle kosten van het terugzenden van de Producten naar RPB® voor garantieservice moeten door de koper worden betaald.

RPB® behoudt zich het recht voor om haar producten te verbeteren door wijzigingen in ontwerp of materialen aan te brengen zonder verplichtingen te hebben jegens kopers van eerder gefabriceerde Producten.

AANSPRAKELIJKHEID

RPB® Safety kan geen enkele aansprakelijkheid aanvaarden van welke aard dan ook die direct of indirect voortvloeit uit het gebruik of misbruik van RPB® Safety-producten, inclusief doeleinden waarvoor de producten niet zijn ontworpen. RPB® Safety is niet aansprakelijk voor schade, verlies of kosten als gevolg van het niet geven van advies of informatie of het geven van onjuist advies of informatie, al dan niet vanwege nalatigheid van RPB® Safety of die van zijn werknemers, agenten of onderaannemers.

NOTES

A series of horizontal dotted lines for writing notes.

OTHER PRODUCTS

ISO9001
CERTIFIED COMPANY

RPB® NOVA 3® RESPIRATOR

The RPB® NOVA 3® combines breakthrough protection technology with advanced comfort and functionality, surpassing even the most rigorous industry standards and the demands of the most quality-conscious companies. Designed to optimize safety and productivity, and to minimize worker downtime, the helmet has a host of features that maximize its lifetime value.



AIRLINE FILTRATION

The RPB® RADEX® AIRLINE FILTER offers increased capacity, versatility and filtration. This optional equipment combines the versatility of either floor or wall mounting with increased filtration capacity, enabling customization to meet worker's needs and working environments.



AIR QUALITY MONITORING

Do you need an intelligent gas monitor that can give you complete confidence in the air you and your employees are breathing? The RPB® GX4® Gas Monitor has the ability to detect up to 4 gases simultaneously, giving you total peace of mind.



MAN-59

rpb®